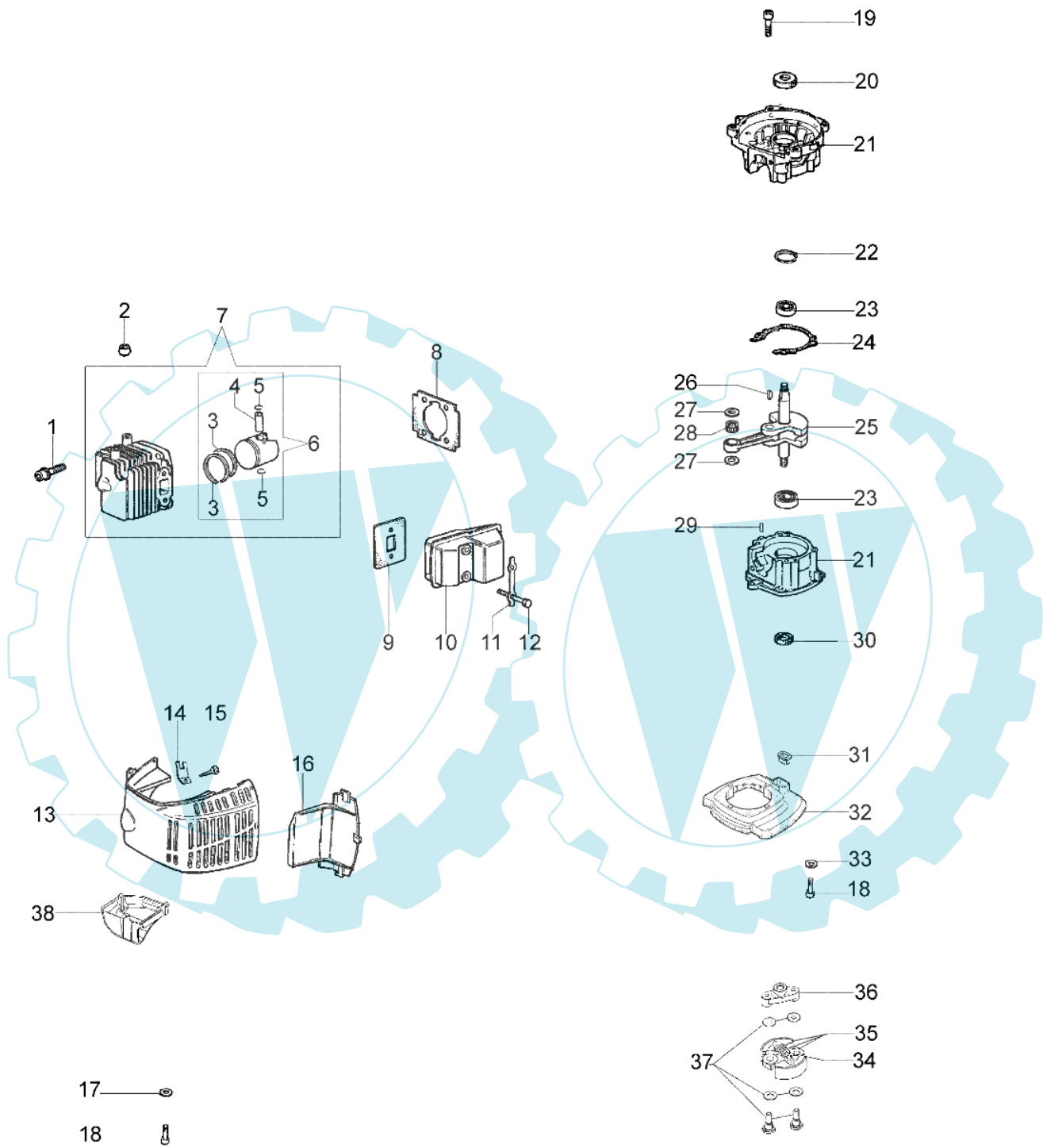
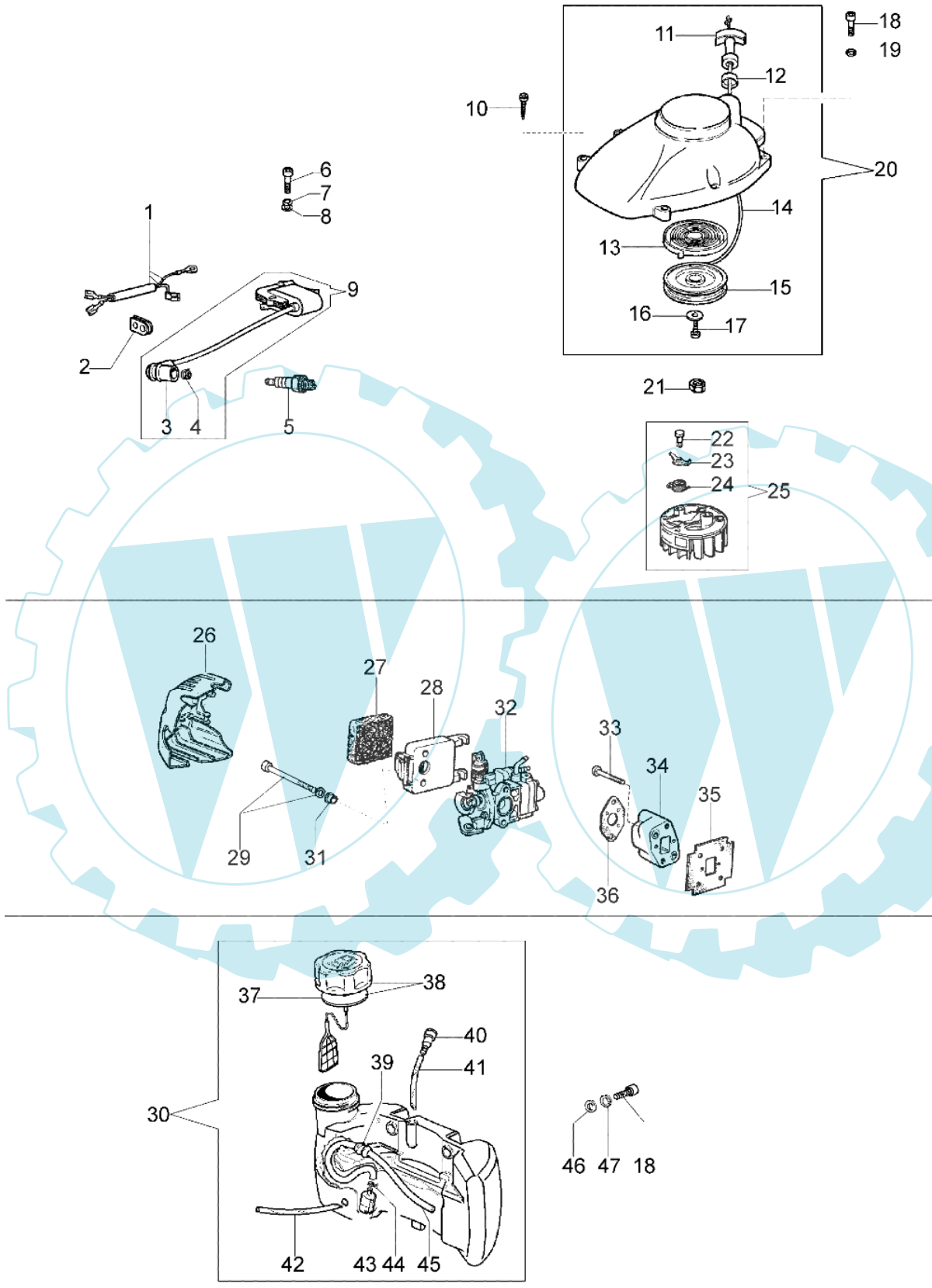


HC 260 XP - Motorengruppe



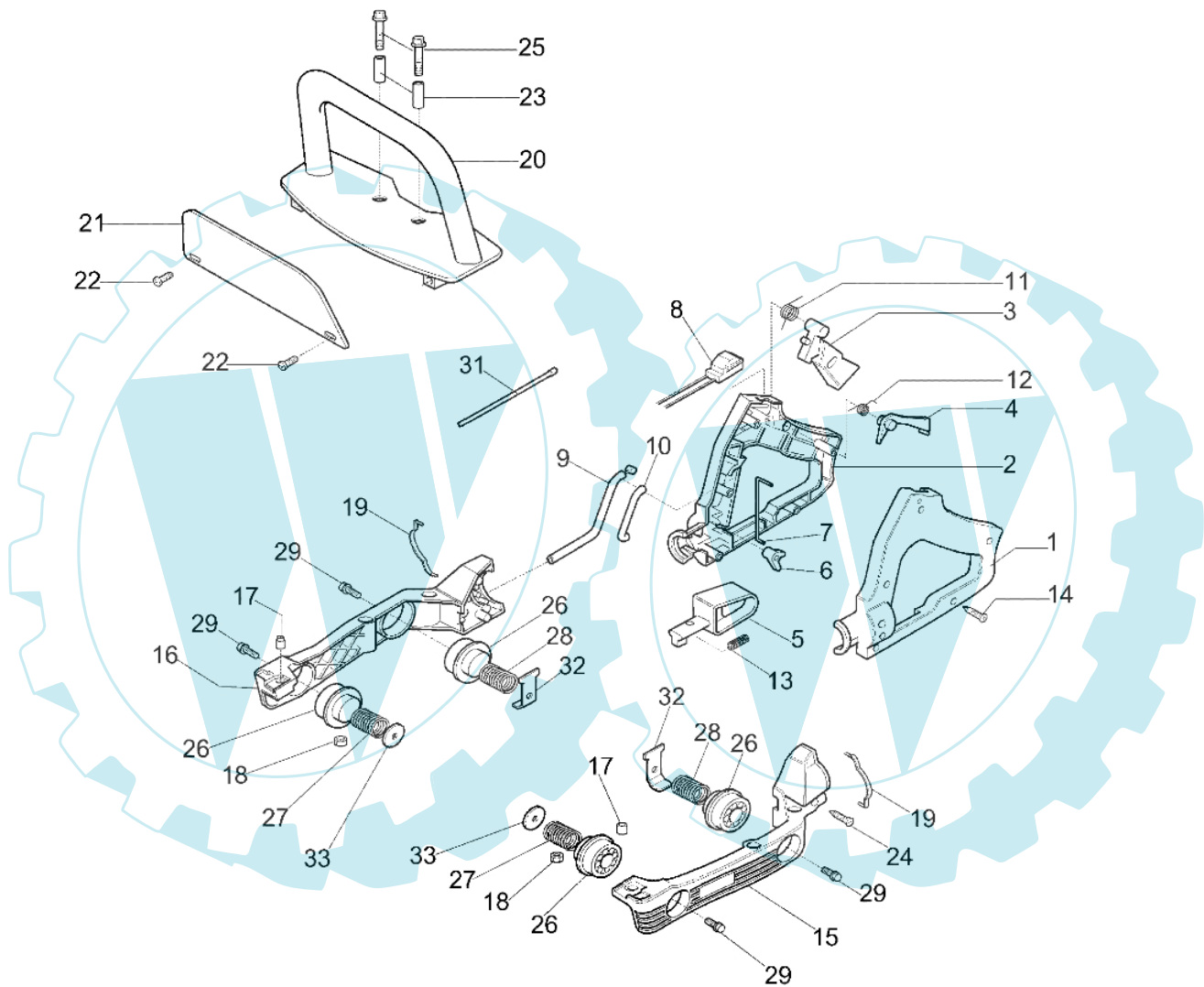
| Bild Nr. | Anz. | Teilenummer | Beschreibung | Technische Nachricht |
|----------|------|-------------|---------------------|----------------------|
| 1 | 2 | 61070060 | Schraube | |
| 2 | 2 | 61170014 | Entfernungsstück | |
| 3 | 2 | 61070065R | Kolbenring | |
| 4 | 1 | 61070066 | Kolben ring | |
| 5 | 2 | 61070067 | Ring | |
| 6 | 1 | 61070107 | Kolben komplet Ø34 | |
| 7 | 1 | 61070072A | Zylinder kpl. | |
| 8 | 1 | 61070059 | Dichtung | |
| 9 | 1 | 61070033 | Dichtung | |
| 10 | 1 | 58040332R | Auspuff | |
| 11 | 1 | 61070055 | Blech | |
| 12 | 2 | 3806027 | Schraube | |
| 13 | 1 | 58040032A | Motorschutz | |
| 14 | 2 | 4191069B | Keil | |
| 15 | 2 | 3960030 | Schraube | |
| 16 | 1 | 58040048 | Schluss | |
| 17 | 3 | 3916004 | Scheibe | |
| 18 | 4 | 3909005 | Schraube | |
| 19 | 4 | 61070063 | Schraube | |
| 20 | 1 | 61070075 | Kobelring | |
| 21 | 1 | 61070061R | Motorgehäuse | |
| 22 | 1 | 3025019 | Ring | |
| 23 | 2 | 3034010 | Lager | |
| 24 | 1 | 61070062 | Dichtung | |
| 25 | 1 | 58040027 | Kurbelwelle | |
| 26 | 1 | 61070070 | Keil | |
| 27 | 2 | 61070068 | Scheibe | |
| 28 | 1 | 61070076 | Lager | |
| 29 | 2 | 61070073 | Stift | |
| 30 | 1 | 61070074 | Kobelring | |
| 31 | 1 | 4162265 | Support | |
| 32 | 1 | 58040328 | Gehäuse | |
| 33 | 4 | 3819005 | Scheibe | |
| 34 | 1 | 61070090 | Feder | |
| 35 | 1 | 61070091R | Kupplung | |
| 36 | 1 | 58040327 | Mitnehmer | |
| 37 | 1 | 61170137B | Schaube/scheibe kit | |
| 38 | 1 | 58040345 | Deflector | |

HC 260 XP - Zündanlage

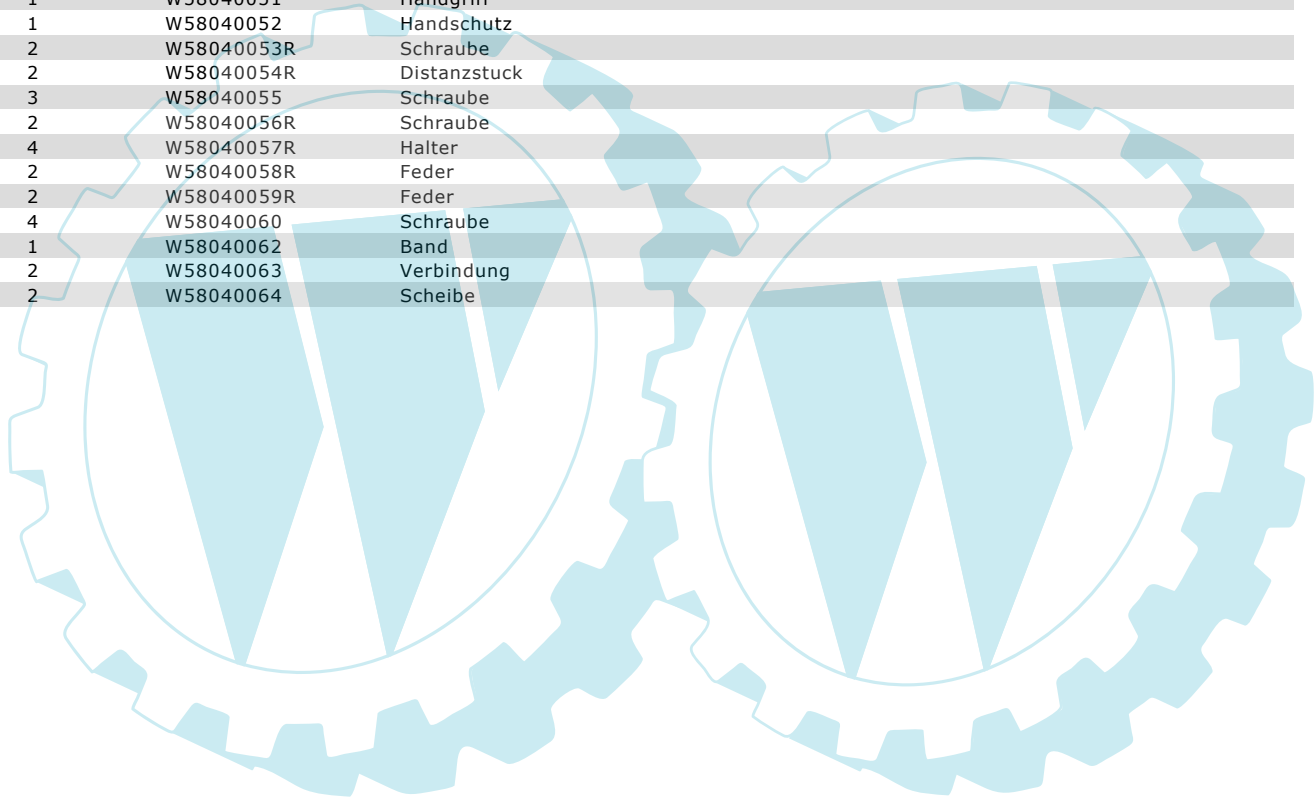


| Bild Nr. | Anz. | Teilenummer | Beschreibung | Technische Nachricht |
|----------|------|-------------|-------------------|----------------------|
| 1 | 1 | 61070012 | Kabel | |
| 2 | 1 | 072700036A | Buchse | |
| 3 | 1 | 094600097A | Zündkerzenstecker | |
| 4 | 1 | 094600169 | Zuendkerze | |
| 5 | 1 | 3055104R | Zündkerze | |
| 6 | 2 | 006000085 | Schraube | |
| 7 | 2 | 3819005 | Scheibe | |
| 8 | 2 | 3916004 | Scheibe | |
| 9 | 1 | 58040344 | Zündspule | |
| 10 | 3 | 3960064 | Schraube | |
| 11 | 1 | 093500397 | Starter griff | |
| 12 | 1 | 072700089 | Buchse | |
| 13 | 1 | 61070036R | Feder | |
| 14 | 1 | 61070019AR | Starterseil | |
| 15 | 1 | 58040019A | Scheibe | |
| 16 | 1 | 094600451 | Scheibe | |
| 17 | 1 | 3960070 | Schraube | |
| 18 | 4 | 3801013 | Schraube | |
| 19 | 4 | 3916005 | Scheibe | |
| 20 | 1 | 58042013BR | Starter komplet | |
| 21 | 1 | 3980012 | Mutter | |
| 22 | 2 | 4161151 | Stift | |
| 23 | 2 | 58040003 | Sperrklinke | |
| 24 | 2 | 58040004 | Feder | |
| 25 | 1 | 58040350 | Schwungrad | |
| 26 | 1 | 58040038 | Filterdeckel | BT6-075-07/08 |
| 27 | 1 | 56510064R | Filter | BT6-075-07/08 |
| 28 | 1 | 61070003E | Filterhalter | BT6-075-07/08 |
| 29 | 2 | 61052009B | Schraube | |
| 30 | 1 | 58040342 | Tank | |
| 31 | 2 | 61040020 | Buchse | BT6-075-07/08 |
| 32 | 1 | 2318847R | Vergaser WYJ-442 | |
| 33 | 2 | 3801047 | Schraube | |
| 34 | 1 | 61070004 | Flansch | |
| 35 | 1 | 61070007 | Dichtung | |
| 36 | 1 | 4161438 | Dichtung | |
| 37 | 1 | 61070006 | Dichtung | |
| 38 | 1 | 58040343 | Tankdeckel | |
| 39 | 1 | 4161211 | Buchse | |
| 40 | 1 | 61070011A | Ventiltank | |
| 41 | 1 | 61070078 | Rohr | |
| 42 | 1 | 61110034 | Rohr | |
| 43 | 1 | 094600450R | Filter | |
| 44 | 1 | 61110162 | Buchse | |
| 45 | 1 | 58040354 | Rohr | |
| 46 | 4 | 3918005 | Scheibe | |
| 47 | 1 | 006000829 | Scheibe | |

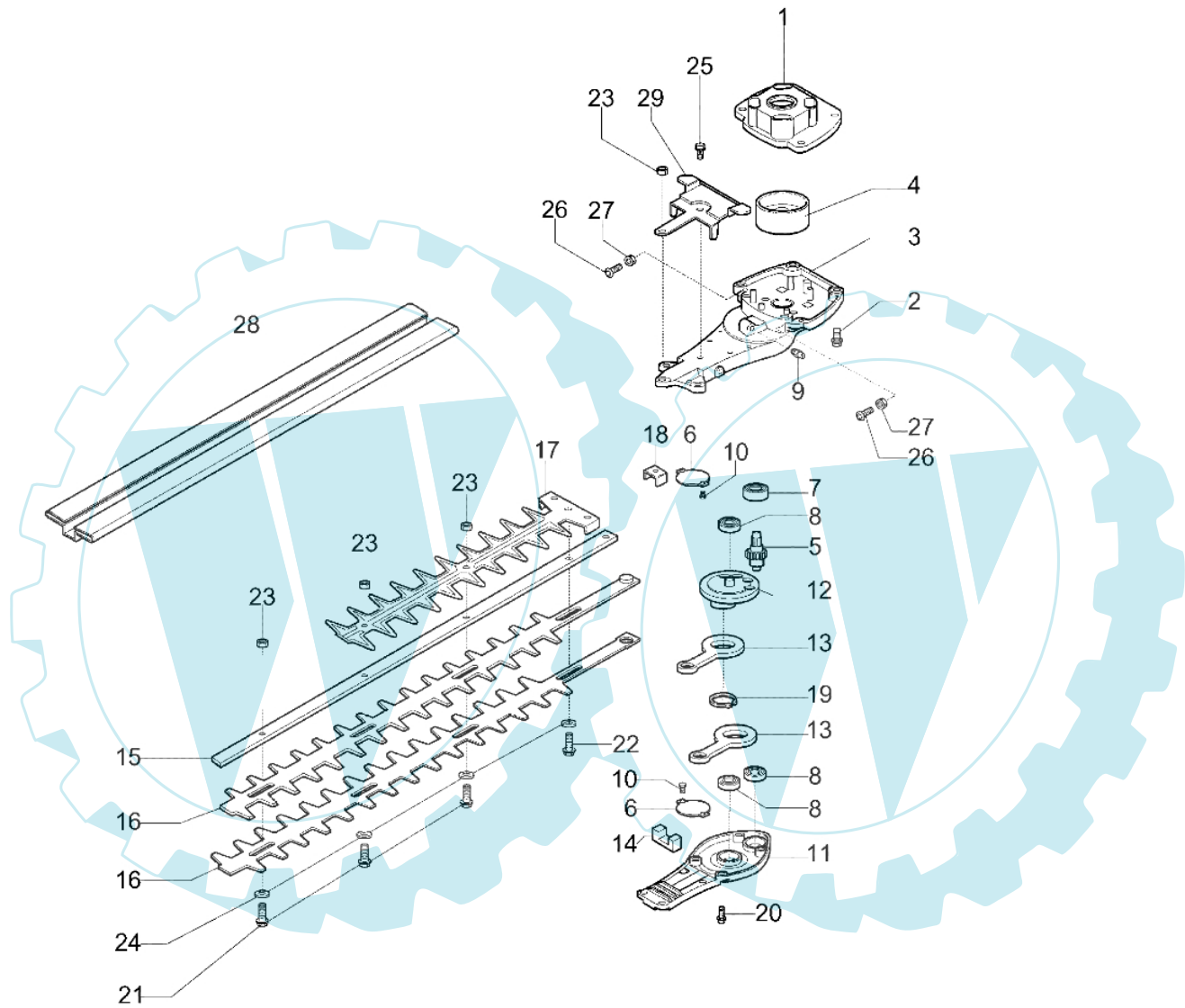
HC 260 XP - Handgriff



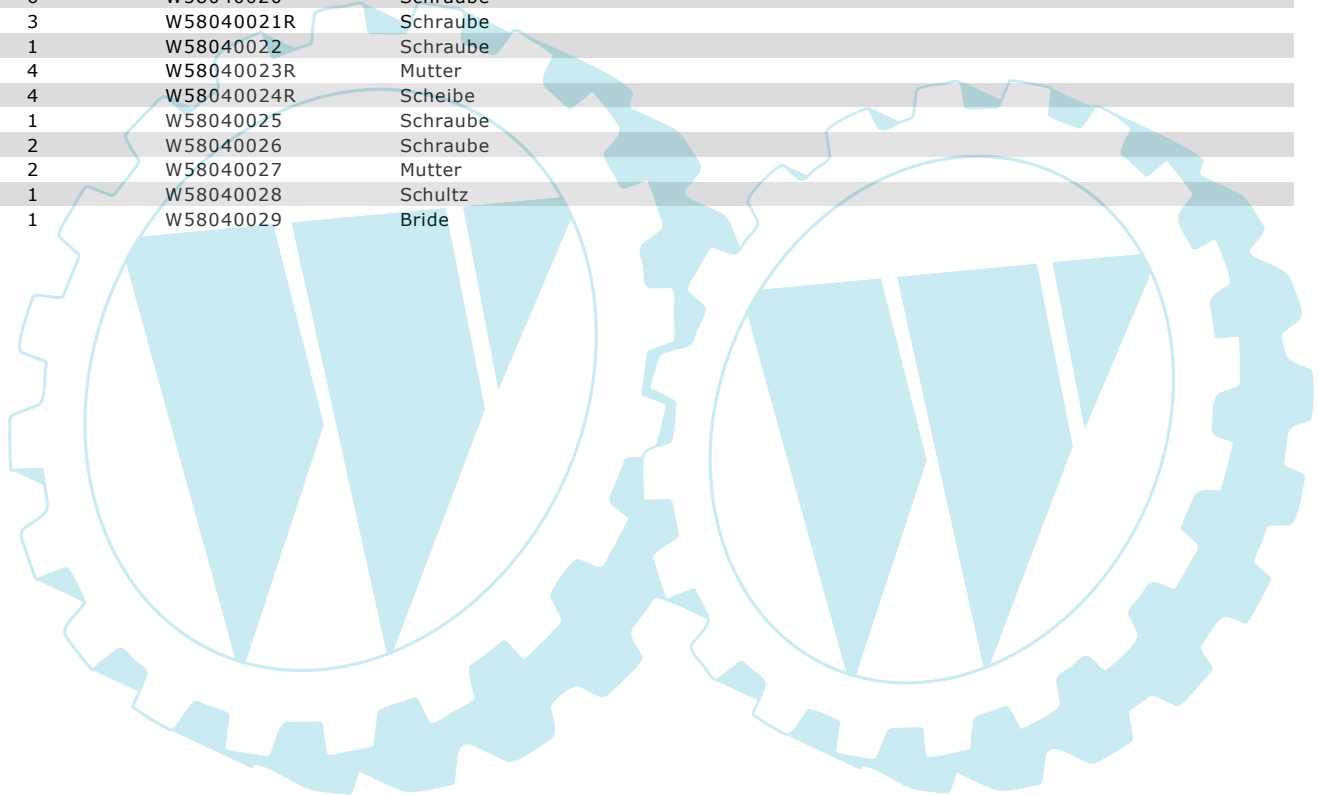
| Bild Nr. | Anz. | Teilenummer | Beschreibung | Technische Nachricht |
|----------|------|-------------|--------------|----------------------|
| 1 | 1 | W58040032 | Handgriff | |
| 2 | 1 | W58040033 | Handgriff | |
| 3 | 1 | W58040034 | Gas hebel | |
| 4 | 1 | W58040035 | Hebel | |
| 5 | 1 | W58040036 | Hebel | |
| 6 | 1 | W58040037 | Stift | |
| 7 | 1 | W58040038 | Gas hebel | |
| 8 | 1 | W58040039 | Schalter | |
| 9 | 1 | W58040040 | Gaskabel | |
| 10 | 1 | W58040041 | Distanzstück | |
| 11 | 1 | W58040042 | Feder | |
| 12 | 1 | W58040043 | Feder | |
| 13 | 1 | W58040044 | Feder | |
| 14 | 5 | W58040045 | Schraube | |
| 15 | 1 | W58040046 | Halter | |
| 16 | 1 | W58040047 | Halter | |
| 17 | 2 | W58040048 | Distanzstück | |
| 18 | 2 | W58040049 | Mutter | |
| 19 | 2 | W58040050 | Dichtung | |
| 20 | 1 | W58040051 | Handgriff | |
| 21 | 1 | W58040052 | Handschutz | |
| 22 | 2 | W58040053R | Schraube | |
| 23 | 2 | W58040054R | Distanzstück | |
| 24 | 3 | W58040055 | Schraube | |
| 25 | 2 | W58040056R | Schraube | |
| 26 | 4 | W58040057R | Halter | |
| 27 | 2 | W58040058R | Feder | |
| 28 | 2 | W58040059R | Feder | |
| 29 | 4 | W58040060 | Schraube | |
| 31 | 1 | W58040062 | Band | |
| 32 | 2 | W58040063 | Verbindung | |
| 33 | 2 | W58040064 | Scheibe | |



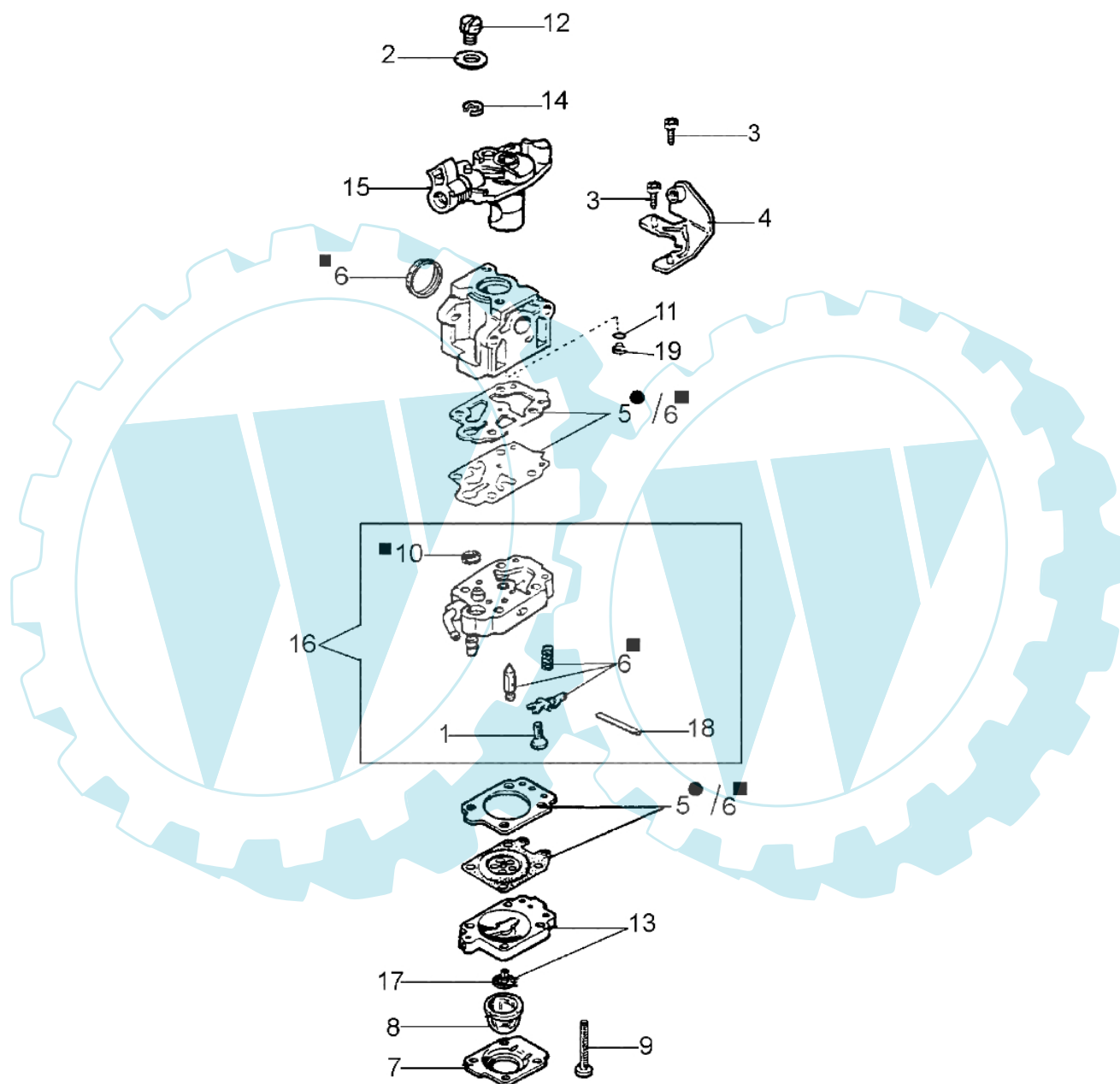
HC 260 XP - Klingenset



| Bild Nr. | Anz. | Teilenummer | Beschreibung | Technische Nachricht |
|----------|------|-------------|------------------|----------------------|
| 1 | 1 | W58040001 | Kupplungsgehäuse | |
| 2 | 4 | W58040002 | Schraube | |
| 3 | 1 | W58040003 | Gehäuse | |
| 4 | 1 | W58040004R | Kupplungsglocke | |
| 5 | 1 | W58040005 | Ritzel | |
| 6 | 2 | W58040006 | Blech | |
| 7 | 1 | W58040007R | Lager | |
| 8 | 3 | W58040008R | Lager | |
| 9 | 1 | W58040009 | Fettnippel | |
| 10 | 4 | W58040010 | Schraube | |
| 11 | 1 | W58040011 | Deckel | |
| 12 | 1 | W58040012 | Kurbelgehäuse | |
| 13 | 2 | W58040013R | Pleuel | |
| 14 | 1 | W58040014 | Filz | |
| 15 | 1 | W58040015 | Halter | |
| 16 | 2 | W58040016 | Messer 600mm | |
| 17 | 1 | W58040017 | Schutz | |
| 18 | 1 | W58040018 | Blech | |
| 19 | 1 | W58040019 | Ring | |
| 20 | 6 | W58040020 | Schraube | |
| 21 | 3 | W58040021R | Schraube | |
| 22 | 1 | W58040022 | Schraube | |
| 23 | 4 | W58040023R | Mutter | |
| 24 | 4 | W58040024R | Scheibe | |
| 25 | 1 | W58040025 | Schraube | |
| 26 | 2 | W58040026 | Schraube | |
| 27 | 2 | W58040027 | Mutter | |
| 28 | 1 | W58040028 | Schutz | |
| 29 | 1 | W58040029 | Bride | |



Walbro WYJ-442



5 ● **KIT MEMBRANE & GUARNIZIONI**
DIAPHRAGM & GASKET SET

6 ■ **KIT RIPARAZIONE**
REPAIR KIT

| Bild Nr. | Anz. | Teilenummer | Beschreibung | Technische Nachricht |
|----------|------|-------------|-----------------|----------------------|
| 1 | 1 | 2318569 | Schraube | |
| 2 | 1 | 2318703 | Scheibe | |
| 3 | 2 | 2318580 | Schraube | |
| 4 | 1 | 2318813 | Halter | |
| 5 | 1 | 2318590 | Dichtungen set | |
| 6 | 1 | 2318591 | Reparatur-satz | |
| 7 | 1 | 2318571 | Deckel | |
| 8 | 1 | 2318572 | Kraftstoffpumpe | |
| 9 | 4 | 2318585 | Schraube | |
| 10 | 1 | 003300204 | Benzinfilter | |
| 11 | 1 | 2318701 | O-ring | |
| 12 | 1 | 2318577 | Mutter | |
| 13 | 1 | 2318570 | Pumpegehäuse | |
| 14 | 1 | 2318189 | Ring | |
| 15 | 1 | 2318902 | Ventil | |
| 16 | 1 | 2318815 | Pumpegehäuse | |
| 17 | 1 | 2318592 | Ventil | |
| 18 | 1 | 003300201 | Bissel | |
| 19 | 1 | 2318812 | Duese | |

